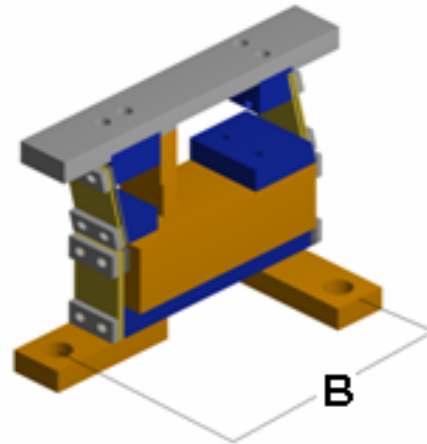
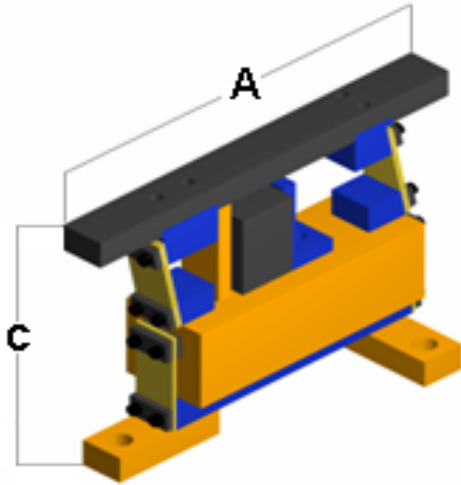


# J&J ENGINEERING



MODEL	RECOMMENDED TRACK LENGTH	MAXIMUM WEIGHT PER SQ. FT	A	B	C	D	E	AMPS	WEIGHT OF UNIT (LB)
M-2	6"-10"	2	6.25	4.625	5.25	2.5	3.5	0.5	6
M-3	10"-14"	2.5	10.25	8.625	5.25	2.5	3.5	0.5	10
M-4	14"-18"	3	14.25	12.625	5.25	2.5	3.5	0.5	15
S-2	16"-22"	6	14.00	10.000	9.75	4.5	6	1.5	40
S-3	24"-30"	8	23.00	19.000	9.75	4.5	6	1.5	60
S-4	32"-38"	10	32.00	28.000	9.75	4.5	6	1.5	88
S-5	42"-48"	12	41.00	37.000	9.75	4.5	6	1.5	115